

LRA-D1000-L

Introduction

The LRA-D1000S is a wireless door chime comprising two components: the LRA-PBTXA-L wireless push button (transmitter) and the LRA-DCRXSA-L door chime (receiver.)

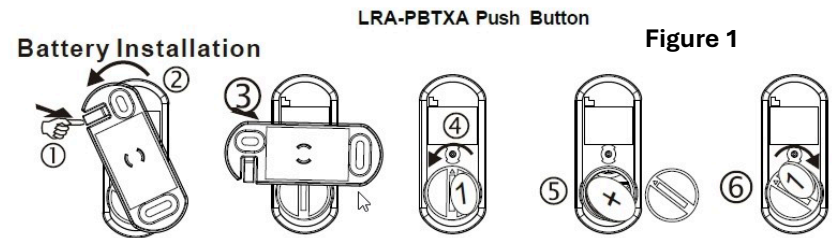
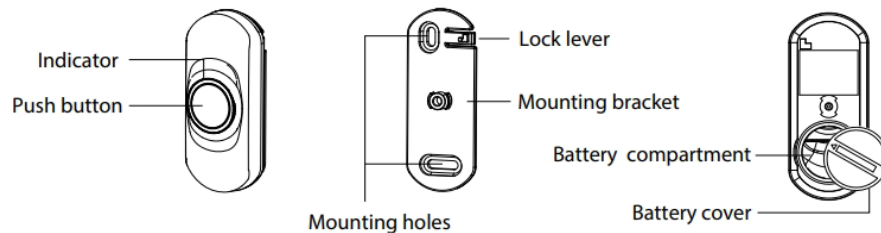
Helpful Notes

- The factory programs the push button to the receiver. Test before programming & mounting the push button to the wall.
- The push button is outdoor rated. Dimensions: 2.5" L x 1.2" W x 4.72" H.
- When the push button is triggered (the center push button is pressed), the center halo will illuminate brightly for approximately 2 seconds (see Figure 2).
- Each LRA-DCRX-L (receiver) can pair with four wireless transmitters.
- The receiver has a volume control knob (see Figure 3).
- The LRA-DCRX-L (receiver) has three operational modes: strobe only, sound only, and strobe + sound (see Figure 3).
- Assign one (1) of thirty-two (32) available melodies to each transmitter
- Once four (4) transmitters have been paired to a receiver, you cannot add one unless you delete the existing transmitters from memory.
- There is no limit to the number of receivers you can pair with a transmitter.
- An LRA transmitter's range (line of sight) to the receiver is 1,000 ft.

Push Button Battery Installation:

**This product contains a coin battery that could be dangerous to children. Please review the warnings at the end of this manual regarding the batteries.*

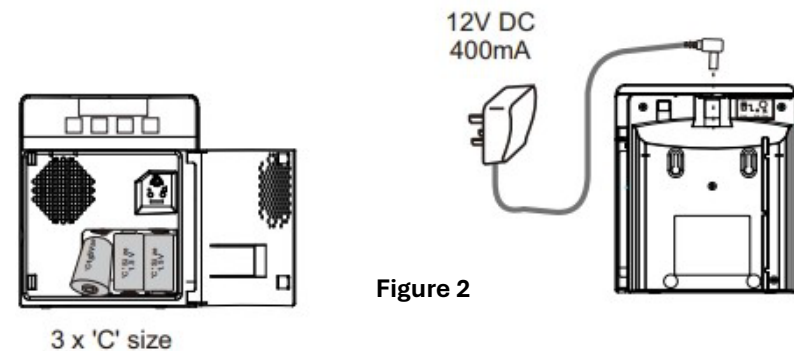
LRA-PBTXA Wireless Push Button



1. Flip over the push button so the back mounting plate faces you. (see figure 1).
2. Use your finger to unlock the lock lever on the back mounting plate.
3. Rotate the mounting bracket 90 degrees (parallel to the ground).
4. Separate the mounting bracket from the rest of the unit.
5. Using a coin, rotate the battery cover counterclockwise.
6. Insert a CR2032 battery into the battery compartment provided.
7. Replace the battery cover. Using a coin, twist it clockwise to lock it into place.
8. Place the back mounting plate back onto the rest of the unit at a 90-degree angle.
9. Twist it clockwise until you feel the mounting plate click into place.

Receiver Battery or Plug Installation

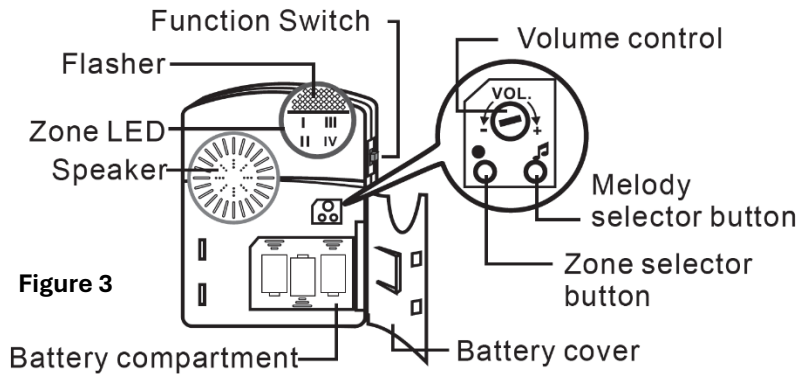
- Open the front cover of the receiver (see Figure 2). Please put three (3) high-quality alkaline batteries into the receiver (not included).



- If you are using the optional plug (not included), the plug receptacle is located on the back of the LRA-DCRX-L, near the top (see Figure 2).

Programming a Transmitter to the Receiver:

The push button may already be programmed to the receiver. Ensure the battery is installed and the receiver has power (batteries or plugged in). Test by pushing the push button. Ensure the function switch (see Figure 3) is set to sound mode for programming and plugged into a wall outlet.



1. Ensure the LRA-DCRX-L has batteries installed or is plugged in with the optional plug.
2. Press on hold the • zone selector button (see Figure 3) for three seconds. A red LED light will blink to a corresponding zone (I, II, III, or IV) —release when the red LED flashes in a zone.
3. Push the • zone button to scroll through available zones. Stop pushing the button when the red LED blinks for the zone you want to program.
4. Press the 🎵 melody selector button to scroll through available melodies. Stop pushing this button when you hear the sound you want the receiver to play when the push button is pressed.
5. Once the zone & melody are selected, push the center button on the push button. The receiver will play a quick ding sound, notifying the transmitter that it is programmed to the receiver.
6. If you are only programming one transmitter, go to the next step. If programming additional transmitter, repeat steps 3-6 above.
7. Once you have programmed all the transmitter(s), exit programming mode by pressing the • zone learning button.

Mounting the Push Button

The push button may be mounted using the supplies mounting screws or supplied double-sided mounting tape (see Figure 4). Remove the backplate of

the push button (see Figure 3) and mount it to the wall. The push button then snaps onto the mounting plate (see Figure 5).

Figure 4

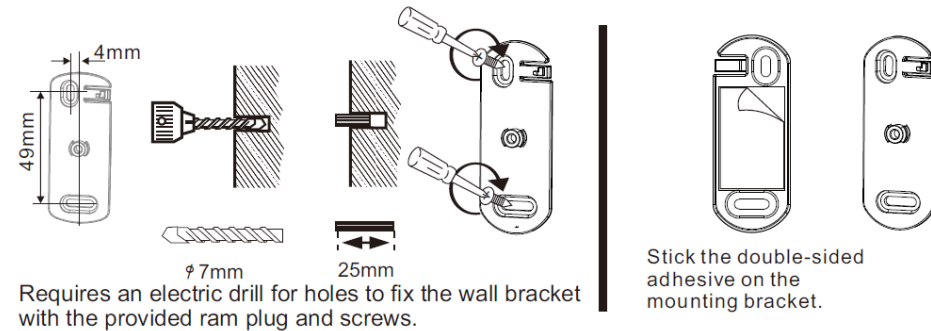
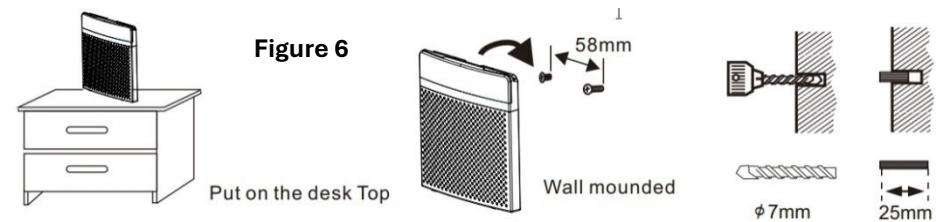


Figure 5

Mounting Options for the LRA-DCRX-L Receiver

The LRA-DCRX-L receiver can be placed on a flat surface or mounted to a wall. It includes a mounting template for hole placement (see Figure 6).



Changing the Melody on the Receiver AFTER Programming

- Hold the • zone selector button (see Figure 3) for 3 seconds to enter the learning mode—release when the red LED flashes in a zone.
- Scroll through the zones by pressing the • zone selector button until the red LED flashes for the zone the push button is programmed to.
- Press the 🎵 melody button to scroll through the available sounds. Stop pressing the 🎵 melody button when you have selected the melody you want.
- Push the center button on the push button. You will hear a tone to indicate that the melody has been changed.
- Exit programming mode by pressing the • zone selector button.

Low Battery Indicator:

- LRA-PBTXA-L: If the red LED for a zone continues to flash after it is triggered, the transmitter/push button programmed to that zone has a low battery.
- LRA-DCRX-L: Random flashing of the strobe light means the batteries in the receiver are low.

Clearing the Memory of the LRA-DCRXS:

- On the receiver, hold down the • zone selector button (see Figure 3) until you see the red LED for a zone starts to blink. This denotes that the unit is in programming mode. Release this button.
- Simultaneously hold the • zone selector & 🎵 melody buttons for approximately 4 seconds until you hear a quick chime sound. This notifies that the memory of the LRA-DCRXS has been erased.

Using the Relays on the Back of the Receiver

The receiver features a normally open & normally closed relay on the back of the receiver (see figure 7). This relay may be used to integrate the receiver with other devices that accept a relay.

Please note: the relay only works for zone 4 on the receiver. For example, if you want to use the "normally closed" relay, ensure a transmitter/sensor that triggers the relay is programmed to zone 4.

- Slide the switch to the "On" position. This will activate the relay when zone 4 is triggered. Sliding the switch to the "Off" position will not activate the relay when zone 4 is triggered.

- Slide the switch to the 2' position & the relay will activate for 2 seconds, 5' is 5 seconds.
- The relays on back of the receiver will open or close only.
- The receiver does not supply external power. It simply acts as a switch or relay. The integrated device must supply power for it to activate.

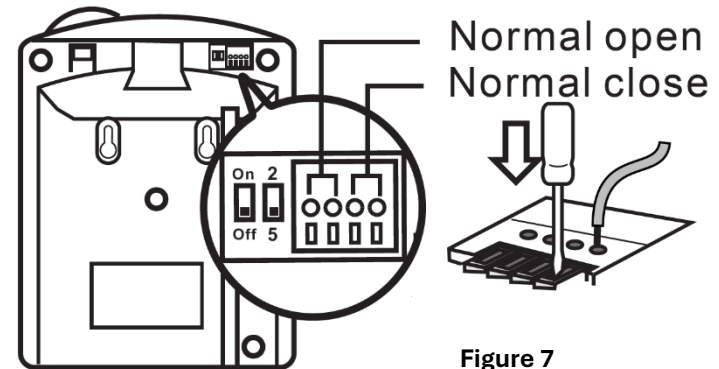


Figure 7

Warranty

Safeguard Supply, an LHE, Inc. company, warrants this product to be free of defects in materials and workmanship for a period of one year from the date of purchase. This warranty does not cover damage resulting from accident, abuse, act of God, or improper operation. If this product does become defective, return it to Safeguard Supply. Please include a note describing the troubles along with your name and return address as well as the original sales receipt. If the product is covered under the warranty, it will be repaired or replaced at no charge. If the warranty does not cover it, you will be notified of any charges before work is done.

Safeguard Supply

1680 Roberts Blvd. NW
 Suite 404
 Kennesaw, GA 30144
 904-245-1184

FCC Statement

This equipment complies with FCC radiation exposure limits for an uncontrolled environment. This equipment should be installed and operated with a minimum distance of 5mm between the radiator and your body. This transmitter must not be co-located or operating in conjunction with any other antenna or transmitter.


This device complies with Part 15 of the FCC Rules. Operation is subject to the following two conditions: (1) this device may not cause harmful interference, and (2) this device must accept any interference received, including interference that may cause undesired operation.

changes or modifications not expressly approved by the party responsible for compliance could void the user's authority to operate the equipment.

This equipment has been tested and found to comply with the limits for a Class B digital device, pursuant to Part 15 of the FCC Rules. These limits are designed to provide reasonable protection against harmful interference in a residential installation. This equipment generates, uses and can radiate radio frequency energy and, if not installed and used in accordance with the instructions, may cause harmful interference to radio communications. However, there is no guarantee that interference will not occur in a particular installation.

If this equipment does cause harmful interference to radio or television reception, which can be determined by turning the equipment off and on, the user is encouraged to try to correct the interference by one or more of the following measures:

- Reorient or relocate the receiving antenna. Increase the separation between the equipment and the receiver.
- Connect the equipment to an outlet on a circuit different from that to which the receiver is connected.
- Consult the dealer or an experienced radio/TV technician for help.

! WARNING	
<ul style="list-style-type: none"> ● INGESTION HAZARD: This product contains a button cell or coin battery. ● DEATH or serious injury can occur if ingested. A swallowed button cell or coin battery can cause internal Chemical Burns in as little as 2 hours. ● KEEP new and used batteries OUT OF REACH of CHILDREN ● Seek immediate medical attention if a battery is suspected to be swallowed or inserted inside any part of the body. 	
<p>This product may contain button cells or coin batteries, including CR1632, CR2016, CR2032, and CR2450, each with a nominal voltage of 3V.</p>	

Remove and immediately recycle or dispose of used batteries according to local regulations and keep away from children.

- DO NOT dispose of used batteries in household trash or incinerate.
- Call a local poison control center for treatment information.
- This product uses a Lithium CR2450 coin-style battery with a nominal voltage of 3V.
- Non-rechargeable batteries are not to be recharged.
- DO NOT force discharge, recharge, disassemble, heat above (manufacturer's specified temperature rating) or incinerate. Doing so may result in injury due to venting, leakage, or explosion resulting in chemical burns.
- Ensure the batteries are installed correctly according to polarity (+ and -).
- DO NOT mix old and new batteries, different brands or types or batteries, such as alkaline, carbon-zinc, or rechargeable batteries.
- Remove immediately and recycle or dispose of batteries from equipment not used for an extended period of time according to local regulations.
- Always completely secure the battery compartment. If the battery compartment does not close securely, stop using the product, remove the batteries, and keep them away from children.

